



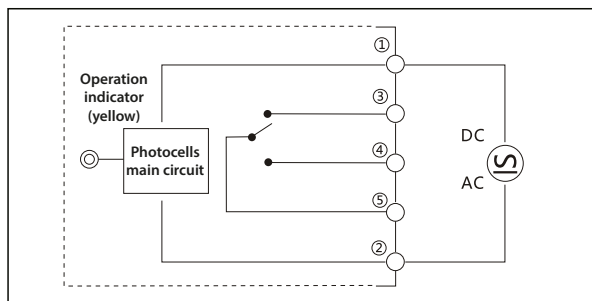
### CHARACTERISTICS

- Non-sphere optical lens totally eliminate stray light and overcome the interference from such light sources as sunlight.
- Built-in LED light source makes installation easy.
- Multiple operating voltages: 24-240V AC / 10-30V DC.
- Able to detect working status by POWER LED indicator.
- Protection grade IP67 (IEC).

### SPECIFICATIONS

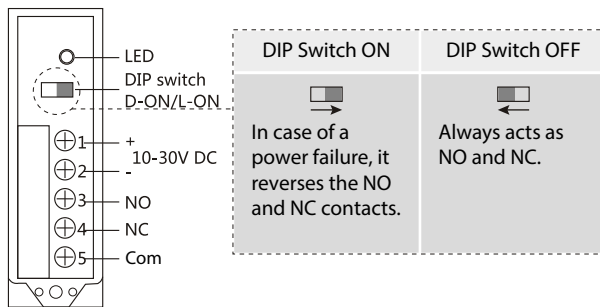
• Model	JFE SP
• Sensing target	Opaque materials of Min. Ø60mm
• Sensing distance	Rp05 Reflector: 12m
• Power supply	24 ~240 VAC / 10~30VDC
• Control output	Relay output (contact rating: 30V DC, 3A or 240V AC, 3A resistant load; contact component: 1C)
• Light source	Red LED (Modulated: 660nm)
• Action mode	Choose L. ON/D. ON through potentiometer
• Response time	<30 ms
• Protection circuit	Surge protection; Reverse polarity protection
• Indicator	Power LED: yellow
• Ambient light	Sun: 30000lx   Incandescent lamp: 3000lx
• Temperature range	-15 ~ + 55 °C
• Ambient humidity	35-95%RH
• Construction	Case: ABS   Lens: PMMA
• Protection grade	IP67 (IEC)
• Accessory	Mounting bracket: IB02   Nut: M4 x 25

### OUTPUT CONTROL DIAGRAM



AC power, relay output

### CONNECTIONS

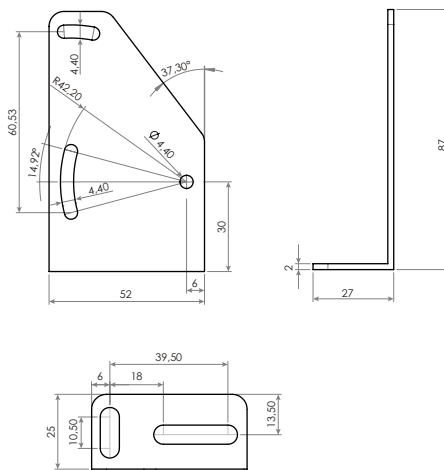


### Notes

\*1 The sensing distance indicates the range between the reflector and sensor. The reflector varies according to the sensing distance.



### BRACKET



### DIMENSIONS

