



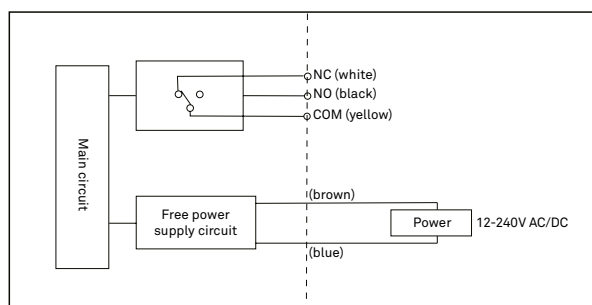
FEATURES

- Non-sphere optical lens totally eliminate stray light and overcome the interference from such light sources as sunlight.
- Built-in LED light source makes installation easy.
- Wide operating voltage range 12-240V AC/DC.
- Light ON/DARK ON options.
- Able to detect working status by power LED indicator and output LED indicator.
- Protection grade IP65 (IEC).

SPECIFICATIONS MF102

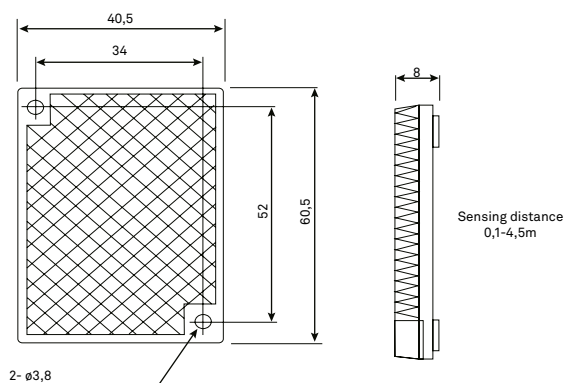
• Model	MF102
• Sensing target	Opaque materials of Min. Ø60mm
• Sensing distance	Rp05 reflector: 0.1-4.5m
• Power supply	12-240V AC/DC
• Power consumption	Máx. 3Va
• Light source	Red LED (Modulated:660nm)
• Action mode	Choose L. ON/D. ON through potentiometer
• Control output	Relay output (contact rating:30V DC,3A or 250V AC,3A resistant load;contact component:1C)
• Response time	Max. 20ms
• Protection circuit	Surge protection;Reverse polarity protection
• Indicator	Power LED:green; Action LED:red
• Ambient light	Sun:30000lx Incandescent lamp:3000lx
• Temperature range	-20 ~ + 65 °C (non-freezing)
• Ambient humidity	35-85%RH
• Construction	Case: ABS Lens: PMMA Cable: PVC
• Protection grade	IP65 (IEC)
• Connections	*2 Ø5,5 x 0,2
• Accessory	Mounting bracket:IB02;Nut:M4x25

OUTPUT CONTROL DIAGRAM



AC power, relay output

MIRROR



BRACKET

Notes

*1 The sensing distance indicates the range between the reflector and sensor. Reflector varies according to the sensing distance.

*2 The standard cables are 2m, cable length could be customized.

